

Pine

# Thermixa 700 Thermostatic Bath/Shower Mixer

**Article no.:** 5750761  
**Finish:** Matt black  
**Series:** Pine

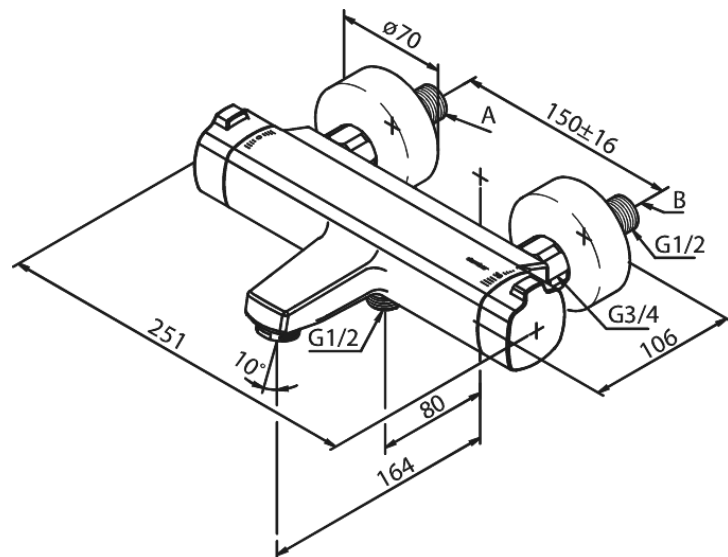
**EAN no.:** 5708516832904



## Standard features:

Ceramic cartridge  
Water consumption max. 23/13 l/min  
Standard 150mm centres  
With 3/4" wall plates & eccentric unions  
1/2" connection for hand shower hose

## Product features



FM Mattsson Mora Group Denmark  
Hvidkærvej 48, 5250 Odense SV, DK-56416218

+45 88 33 00 34 [damixa-international@fmm-mora.com](mailto:damixa-international@fmm-mora.com)

Mere information på [damixa.com](http://damixa.com)

**damixa**